

# ES9L Series 3 Phase Intelligent Energy Meter

## Features:

- ⊙ Measuring Items: 3 phase Voltage/Current/Active Power/Reactive Power/ Frequency/Power Factor etc, totally 28 parameters
- ⊙ Two switch input and two switch output (4 switch input can be ordered)
- ⊙ True effective value measurement
- ⊙ With RS485 interface Modbus RTU communication protocol
- ⊙ One active energy pulse output
- ⊙ With Power fail memory function for Kwh / KvarH

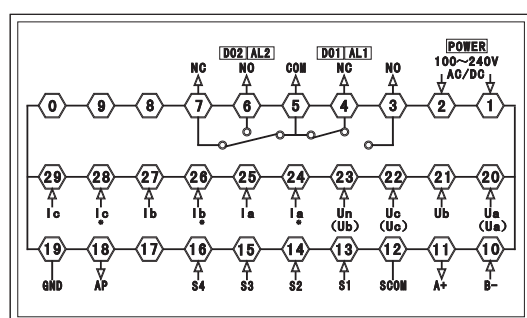


## Main Technical Parameters

Connection	3 Phase 3 Wires, 3 Phase 4 Wires
Voltage range	AC 3×220V/380V (3×57.7V/100V)
Voltage overload	Continuous: 1.2 times Instantaneous: 2 times/10S
Voltage consumption	<1VA (each phase)
Voltage impedance	≥300KΩ
Voltage accuracy	RMS measurement, accuracy class 0.5
Current range	AC 0.025~5A
Current overload	Continuous: 1.2 times Instantaneous: 10 times/10S
Current consumption	<0.4VA (each phase)
Current impedance	<20mΩ

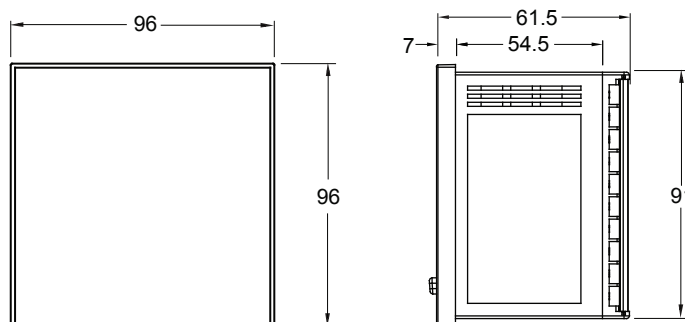
Current accuracy	RMS measurement, accuracy class 0.5
Frequency	45~60Hz, accuracy 0.01Hz
Power	Active / Reactive / Apparent power, accuracy 0.5 class
Energy	Active Energy 1 class, Reactive Energy 2 class
Display	LCD display (optional blue backlight, default white backlight)
Power supply	AC/DC 100~240V (85~265V)
Power supply consumption	≤5VA
Output digital interface	RS-485, MODBUS-RTU Protocol
Pulse output	1 energy pulse output (The light coupling output of open-collector) Pulse constant 3200imp/kWh
Switch Input	2 switch input (Dry contact mode)
Alarm output	2 switch output, 250VAC/3A or 30VDC/5A
Working environment	Temperature: -10~50℃ Humidity:<85% RH; Non-corrosive Gas; altitude ≤2500m
Storage environment	-40~70℃
Withstand voltage	Power supply and 485 interface, DI interface, pulse output interface≥DC 2000V
Isolation	Input/ Output/ Power supply to meter cover>5MΩ
Dimension	96W×96H×61.5L(mm)
Weight	0.6kg

## ■ Connection Drawing



The correct diagram on the Meter shall prevail

## ■ Dimension and Mounting Size



Panel Size

Side-face Size