

## EPM-3790 Digital Potentiometer



Digital Potentiometer Control Panel For V/F Speed Controller are designed for controlling the speed and direction of the motor as a control panel for V/F Speed Controllers in industry. They can be used in many applications with their easy use and operation with their ramp properties.

### Display and Front Panel

Buttons	SetP, direction and enter buttons
Led Indicators	SET (Green), OUT (Red), PROG (Red) 3 mm
Display	10 mm Red 4 digits LED display

### Body

Physical Features	77 mm x 35 mm 62,5 mm
Protection Class	NEMA 4X (IP65 at front, IP20 at rear)
Weight	Approximately 0.09 Kg.
Installation	Fixed Installation

### Electrical Features

Supply Voltage and Power	100...240V ~ (+%15) 50/60 Hz. 1.5 VA 24 Vac/dc ~ (+%15, +%10) 50/60 Hz. 1.5 VA
Error Inputs	Max. 3mA @ 30Vdc
Scale	Configurable between -1999 and 9999

### Outputs

Analogue Output	0/2...10Vdc Voltage Output (Max. 10mA) or 0/4...20mAdc Current Output
-----------------	--

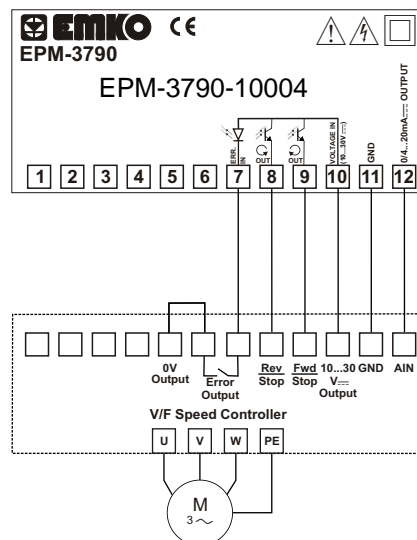
### Control

Forward Output	Max. 5mA @ 30Vdc
Reverse Output	Max. 5mA @ 30Vdc

### Quality Standards

Approvals	GOST-R, CE
-----------	------------

#### Devices with (0/4...20mA $\approx$ ) Analogue Output



#### Devices with (0/2...10V $\approx$ ) Analogue Output

