

Feature

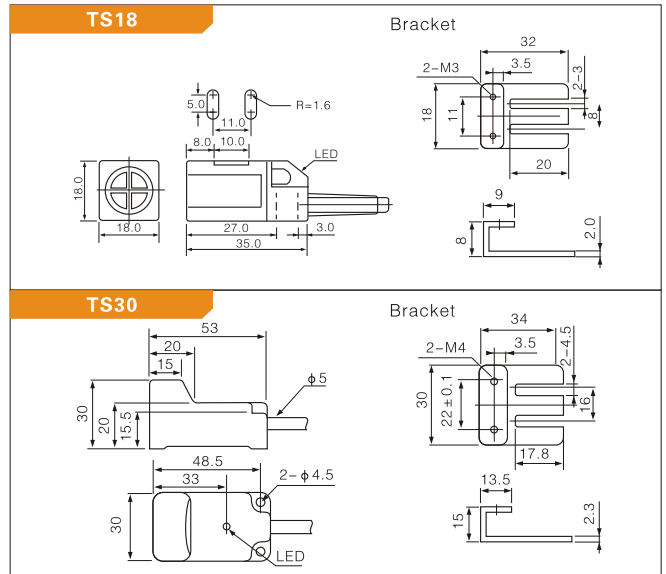
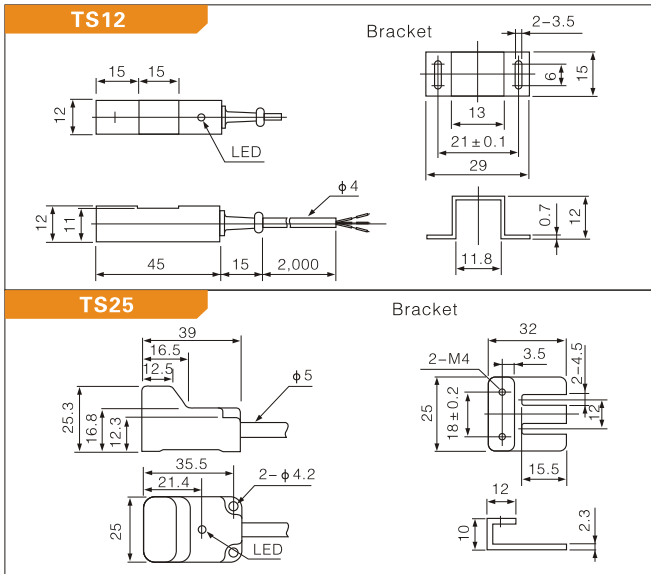
- Shape kind is abundant, owning wide application range
- Long endurance and high reliability
- Reverse polarity protection, Short circuit protection(DC type)
- IP67



Specification

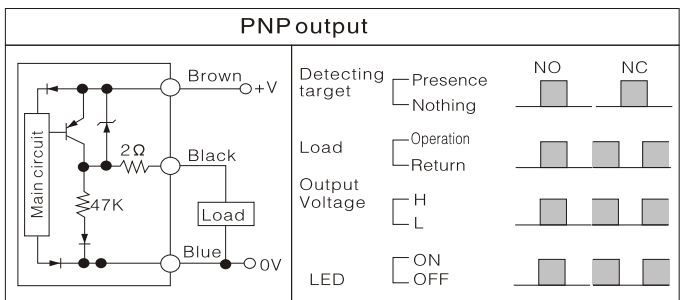
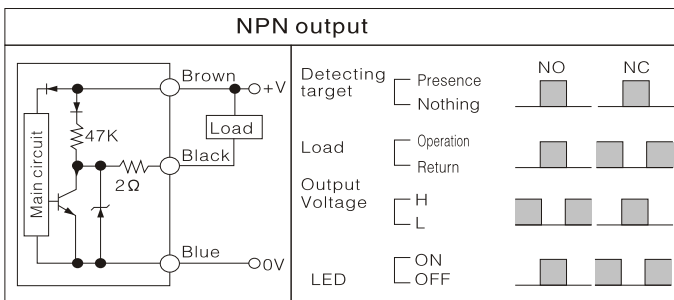
Model	DC NPN	TS12-4DN TS12-4DN2	TS12-4DNU TS12-4DN2U	TS18-5DN TS18-5DN2	TS25-7DN TS25-7DN2	TS30-10DN TS30-10DN2
	DC PNP	TS12-4DP TS12-4DP2	TS12-4DPU TS12-4DP2U	TS18-5DP TS18-5DP2	TS25-7DP TS25-7DP2	TS30-10DP TS30-10DP2
	DC 2-wire	TS12-4DO TS12-4DC	TS12-4DOU TS12-4DCU	TS18-5DO TS18-5DC	TS25-7DO TS25-7DC	TS30-10DO TS30-10DC
	AC 2-wire				TS25-7AO TS25-7AC	TS30-10AO TS30-10AC
Appearance						
Detecting distance		4mm ± 10%	4mm ± 10%	5mm ± 10%	7mm ± 10%	10mm ± 10%
Setting distance		0 to 2.8mm	0 to 2.8mm	0 to 3.5mm	0 to 4.9mm	0 to 7mm
Standard detecting target		Iron 12x12x1mm		Iron 18x18x1mm	Iron 25x25x1mm	Iron 30x30x1mm
Hysteresis		Max. 10% of detecting distance				
Power supply		DC NPN(PNP) type: 12-24VDC(10-30VDC) DC 2-wire type: 12-30VDC AC 2-wire type: 90-250VAC				
Current consumption		DC NPN(PNP) type: Max.10mA DC 2-wire type: Max.0.9mA AC 2-wire type: Max.2.2mA				
Response frequency	DC	400HZ		300HZ	250HZ	200HZ
	AC	—			20HZ	
Residual voltage		DC NPN(PNP) type: Max.1.5V DC 2-wire type: Max.6v AC 2-wire type: Max.10V				
Control output		DC NPN(PNP) type: Max.200mA DC 2-wire type: Max.100mA AC 2-wire type: Max.200mA				
Circuit protection		Reverse Polarity Protection " ", Surge absorber " ", Short Circuit Protection " " M12、M18、M30、DC NPN (PNP) type				
Insulation resistance		Min.50MΩ (500VDC)				
Dielectric strength		1500VAC 50/60HZ for 1 minute				
Operating temperature		-25 to +70°C (non-freezing condition)				
Protection		IP67 (IEC Specification)				

Dimensions (unit:mm)

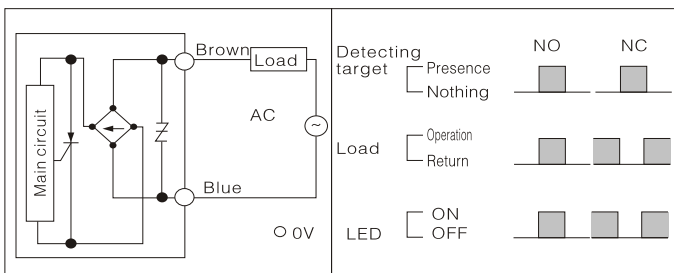


Control output diagram

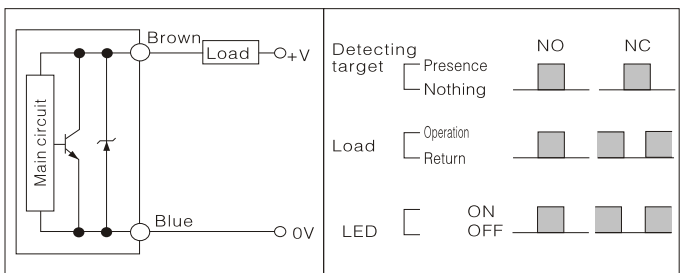
DC 3-wire



AC 2-wire

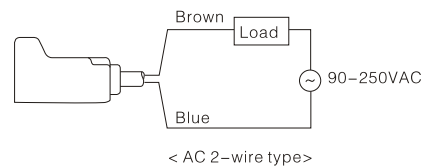
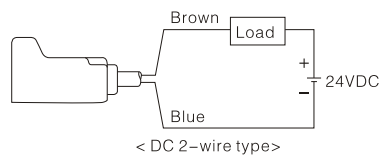
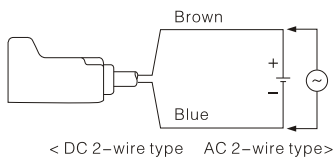


DC 2-wire



Proper usage

Load connections



When using DC2-wire or AC2-wire type proximity switch, the load must be connected otherwise internal components may be damaged, And the load can be connected to other wire.