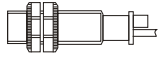



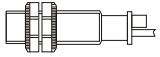

Feature

- Able to detect iron, metal, water, plastic, stone, wood etc
- Long endurance and high reliability
- The sensitivity regulating potentiometer could adjust distance conveniently.
- Operated under horizontal control and position



Ordering information

Appearance	Sensing distance	OUTPUT (DC)	Model
 M18	8mm adjustment	NPN NO	CR18-8DN
		NPN NC	CR18-8DN2
		PNP NO	CR18-8DP
 M30	15mm adjustment	NPN NO	CR30-15DN
		NPN NC	CR30-15DN2
		PNP NO	CR30-15DP

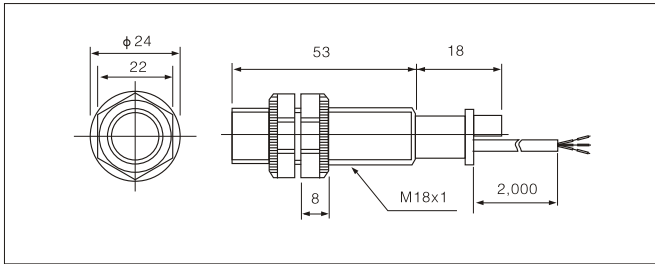
Appearance	Sensing distance	OUTPUT (AC)	Model
 M18	8mm adjustment	SCR NO	CR18-8AO
		SCR NC	CR18-8AC
 M30	15mm adjustment	SCR NO	CR30-15AO
		SCR NC	CR30-15AC

Specification

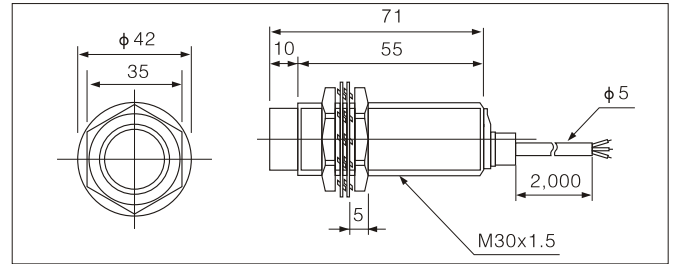
Model	CR18-8DN CR18-8DN2 CR18-8DP	CR30-15DN CR30-15DN2 CR30-15DP	CR18-8AO CR18-8AC	CR30-15AO CR30-15AC
Detecting distance	8mm adjustmen	15mm adjustmen	8mm adjustmen	15mm adjustmen
Setting distance	0 to 5.6mm	0 to 11mm	0 to 5.6mm	0 to 11mm
Standard detecting target	Iron 50X50mm			
target Detecting	Metal, nonmetal			
Hysteresis	MAX.20% of detecting distance			
Power supply	12-24VDC(10-30VDC)		90-250VAC	
Current consumption	Max.10mA		Max.2.2mA	
Response frequency	50HZ		20HZ	
Residual voltage	MAX.1.5V		MAX.10V	
Control output	MAX.200mA			
Protection circuit	Reverse polarity protection , Surge absorber			
Insulation resistance	Min.50MΩ (500VDC)			
Dielectric strength	1500VAC 50/60HZ for 1 minute			
Operating temperature	-25 to +70°C (non-freezing condition)			
Protection	IP65			

Dimensions (unit:mm)

● CR18 Series



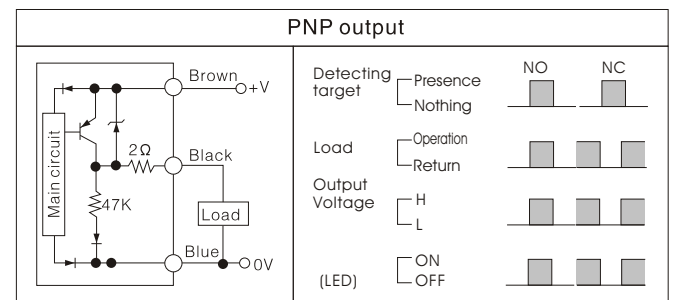
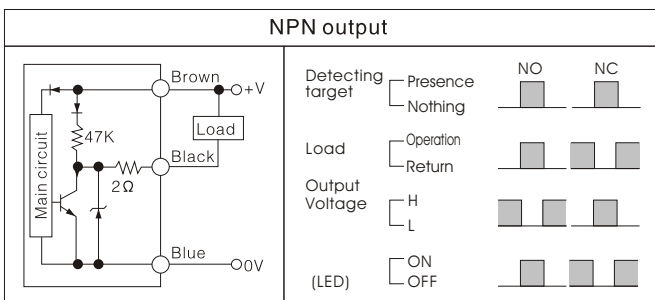
● CR30 Series



※The above specification are changeable without notice anytime.

Control output diagram

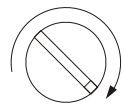
● DC 3-wire



Sensitivity adjustment

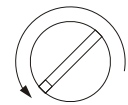
● Please turn potentiometer and sequence below procedure.

1 Turning potentiometer VR on right after remove the target then stop it until proximity sensor is ON



A stop at ON position

2 Approaching the target to this unit and turning potentiometer on left slowly, then stop it until proximity sensor is OFF



Stop at OFF position

3 There is over 1.5 revolution differences of potentiometer from ON to OFF position and it can detect stably.

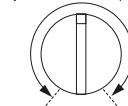
It is stable when it is over 1.5 times



OFF position ON position

4 If you set potentiometer in the middle between 1 and 2, sensitivity setting will be completed.

Adjustment completed



OFF position ON position

※When there is distance fluctuation between proximity sensor and the target, please adjust 2 with long distance from this unit.

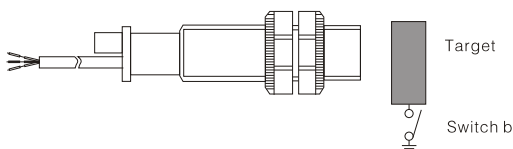
Turning potentiometer toward clock wise it will be max. and turning toward unclockwise it will be min. Number of adjustment should be 15 ~ 3 revolution and if you turn on right of left excessively, it will be not stopped.

Grounding

The detecting distance will be changed by grounding status of capacity proximity sensor and the target [50x50x1mm(Iron)]. Please check the material when install it on panel.

● CR18

Ground condition	switch a	switch b
ON	ON	OFF
Operating distance(mm)	8	4



● CR30

Ground condition	Switch a	ON	OFF	ON	OFF
	Switch b	ON	ON	OFF	OFF
Operating distance(mm)		15	18	6	6

