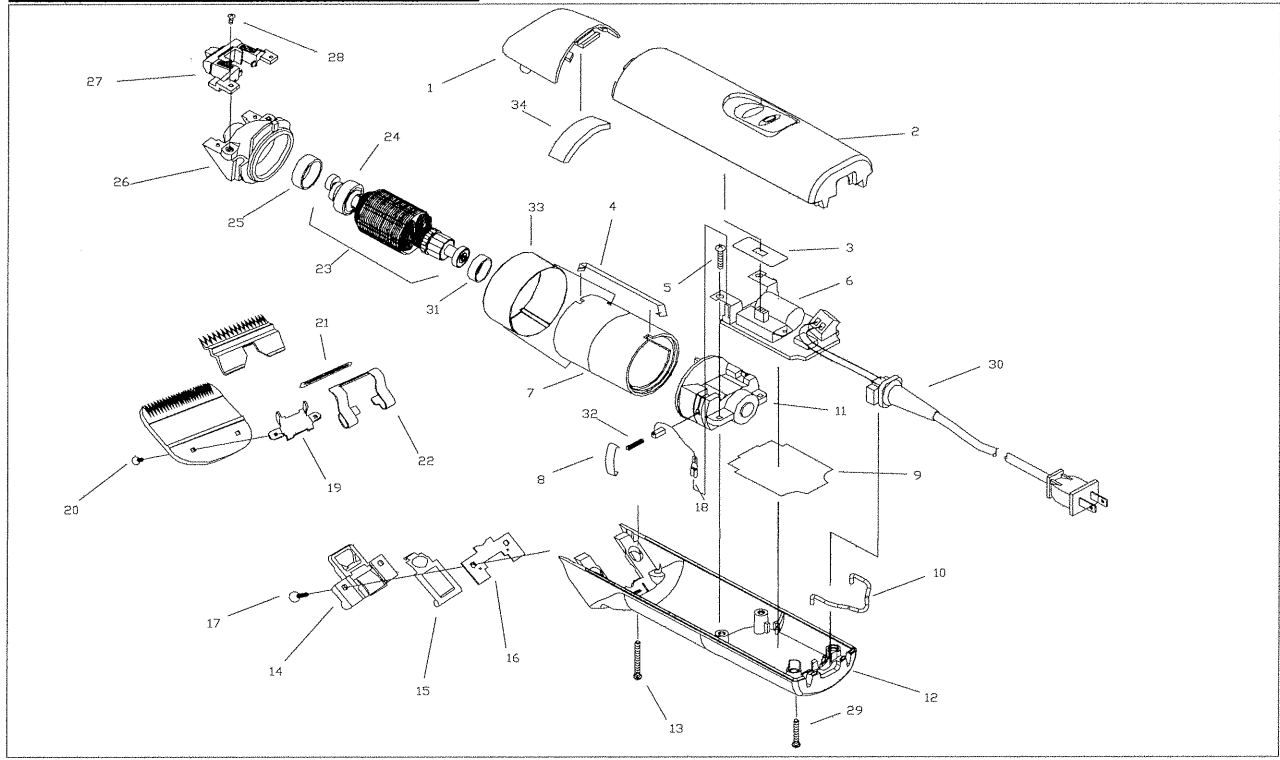


andis®

MODEL AGC2 2-SPEED CLIPPER
AGC2 SUPER 2-SPEED CLIPPER
120 VOLT



ITEM NO.	PART NO.	DESCRIPTION	QTY. REQ'D
1		Drive Cap	
1a	65267	Drive Cap (AGC2) - Black	1
1b	65266	Drive Cap (Super 2 Speed) - Red	1
2		Upper Housing	
2a	22964	Upper Housing (AGC2) - Black	1
2b	22959	Upper Housing (Super 2 Spd.) Red	1
3	21063	Switch Insulator	1
4	27198	Motor Frame Clip	1
5	21692	Screw	2
6	22681	Circuit Board	1
7		Field Assembly	
7a	22453	Field Assy. (Super 2 USA & CSA)	1
7b	27352	Field Assy. (AGC2 USA & CSA)	1
8	65805	Brush Retaining Clip	2
9	64958	Insulator (CSA only)	1
10		Hanger Bail	
10a	22267	(for units after 7/3/03)	1
10b	25061	(for units before 7/3/03)	1
11	64945	Rear Motor Frame	1
12		Lower Housing	
12a	65264	Lower Housing (AGC2 USA) Black	1
12b	65282	Lower Housing (AGC2 CSA) Black	1
12c	65263	Lower Housing (Super 2 USA) Red	1
12d	65283	Lower Housing (Super 2 CSA) Red	1
13	64606	Front Housing Screw	2
14	S64608	Hinge Assembly	1

ITEM NO.	PART NO.	DESCRIPTION	QTY. REQ'D
15	64537	Blade Lock	1
16	64535	Lock Keeper	1
17	27861	Blade Hinge Screw	2
18	27847	Carbon Brush	2
19	64003	Blade Bracket	1
20	64139	Blade Screw	2
21	64027	Blade Guide	1
22	64013	Tension Spring	1
23		Armature Assembly	
23a	27072	Armature Assy. (includes #24a) USA	1
23b	27994	Armature Assy. (includes #24b) CSA	1
24		Cam and Bearing Assembly	
24a	27251	Metal Cam and Bearing Assy. USA	1
24b	21976	Plastic Cam and Bearing Assy. CSA	1
25	21068	Large Bearing Cup	1
26	65013	Front Motor Frame	1
27	22319	Blade Drive Assembly	1
28	15766	Blade Drive Screw	2
29	22086	Rear Housing Screw	2
30		Cord Set	
30a	64250	Cord Set	1
30b	64570	Cord Set Equine - 16'	1
31	21067	Small Bearing Cup	1
32	65806	Brush Spring	2
33	64991	Oil Seal	1
34	17091	Self Adhesive Foam Pad	1

IMPORTANT INFORMATION

When ordering repair parts, include part number, part name and model of trimmer. For best performance, trimmer blades should be CLEANED and OILED with Andis Clipper Oil before and after use. If repair is necessary, return to any Andis Authorized Repair Service Station, or to Andis Company, 1800 Renaissance Blvd., Sturtevant, Wisconsin, 53177 U.S.A.. Pack carefully, mail either Insured Parcel Post, or U.P.S. , attach a letter to outside of package explaining difficulty.